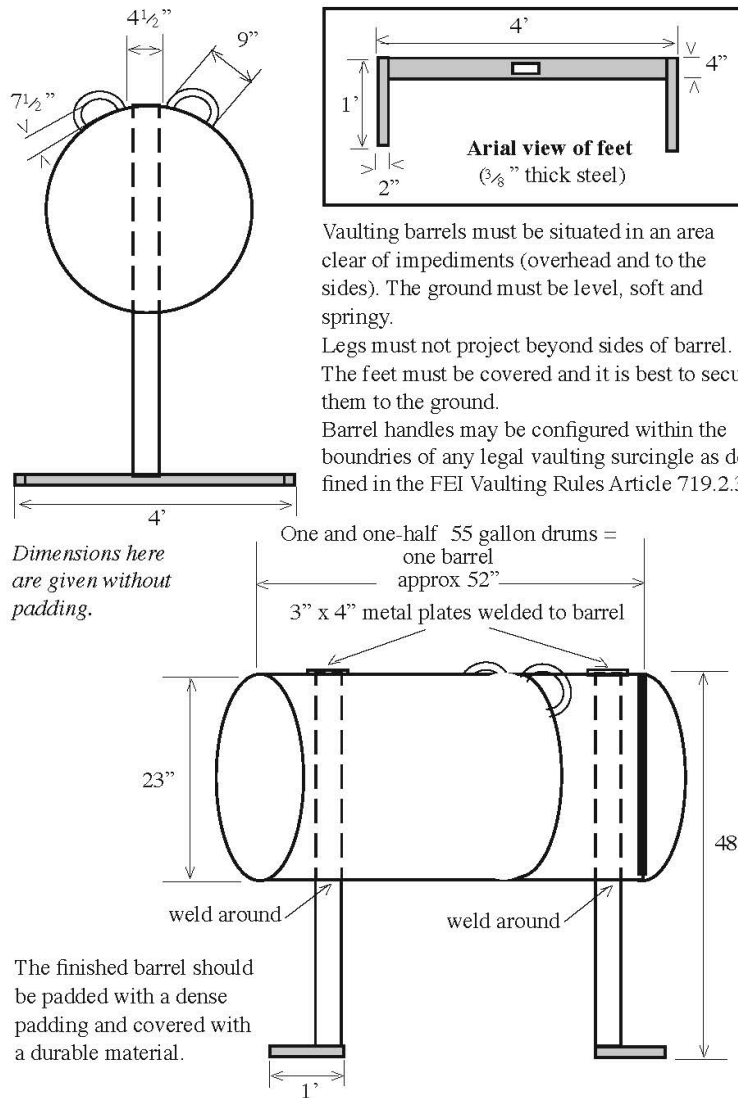


# BARREL SPECIFICATIONS



*Dimensions here are given without padding.*

Vaulting barrels must be situated in an area clear of impediments (overhead and to the sides). The ground must be level, soft and springy.  
 Legs must not project beyond sides of barrel.  
 The feet must be covered and it is best to secure them to the ground.  
 Barrel handles may be configured within the boundaries of any legal vaulting surcingle as defined in the FEI Vaulting Rules Article 719.2.3

The finished barrel should be padded with a dense padding and covered with a durable material.

*For questions about any barrel to be used for AVA recognized competition, please contact the Chair of the Technical Committee.*